

COSENTINO CENTER:

MODEL:

QUANTITY:

SALES ORDER:

ELEGANCE 1 SINK

..... pieces

COLOUR:

FINISH:

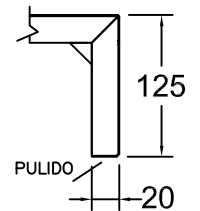
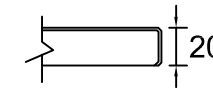
POLISHED

SUEDE

A: MARK TYPE OF EDGE IN DRAWING:

20MM

125MM



(Standard: front side + 2 short sides)

B:mm (max. 3000mm)

C:mm (max. 600mm)

D:mm (take into account E)

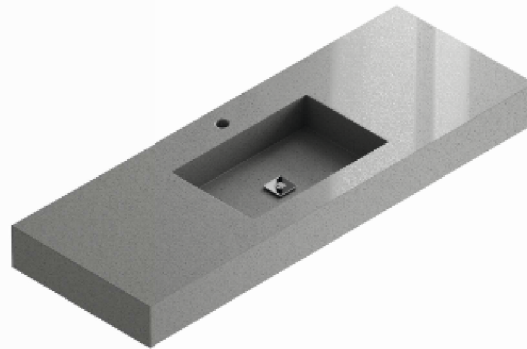
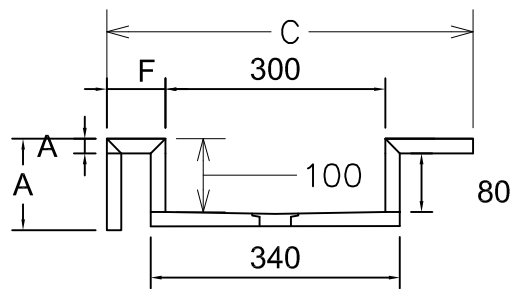
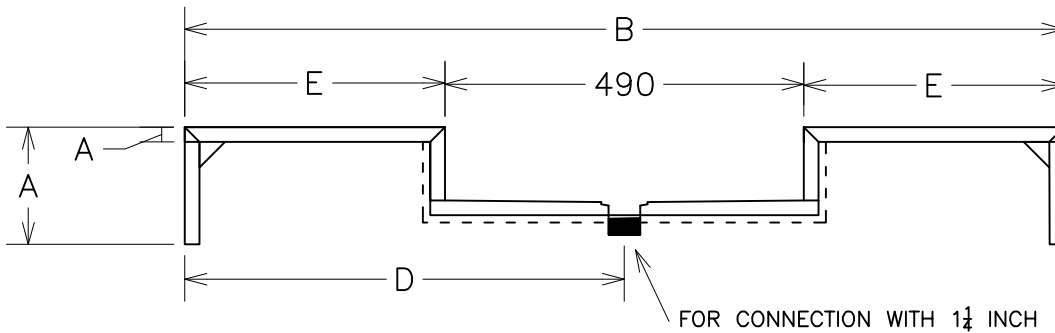
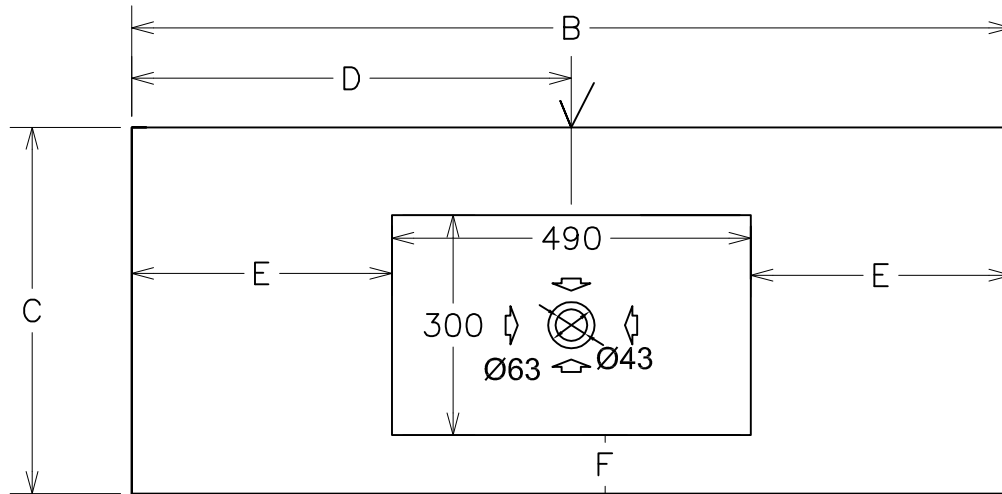
E: Edge 20mm: minimum 100mm
Edge 125mm: minimum 120mm

F:mm (Standard 80mm-min 50mm)

G: 35mm TAP HOLE? NO / YES

YES ==> mark the position in the drawing.

(For a tap hole we need 110 mm minimum behind the sink.)



Model ELEGANCE: for orders > 10 TOPS it is possible to request prices for special sizes of sinks. OTHERWISE STANDARD 49X30CM.