

COSENTINO CENTER:  
.....

COLOUR: .....  
FINISH: POLISHED / SUEDE?

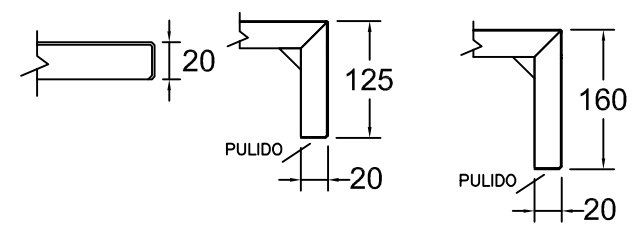
QUANTITY: ..... pieces  
ENTER THIS SIZES IN MM:

MODEL: REFLECTION - 1 SINK

SALES ORDER: .....

A: MARK TYPE OF EDGE:

20MM     125MM     160MM



✗ MARK THE EDGES IN DRAWING WITH EDGE TYPE  
(Standard: front side + 2 short sides)

B: Mark size of sink:     500 mm  
                                       900 mm  
                                       1000 mm  
                                       1200 mm

C: .....(max. 3000mm)

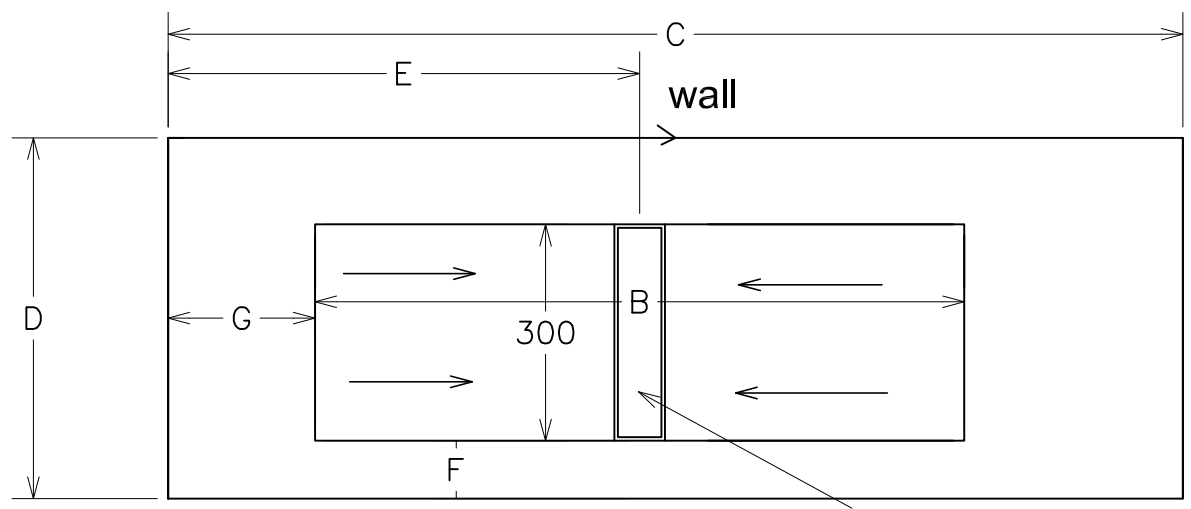
D:..... (max. 600mm)

E: .....mm (take into account G)

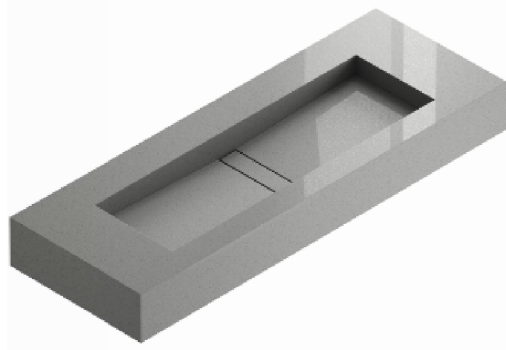
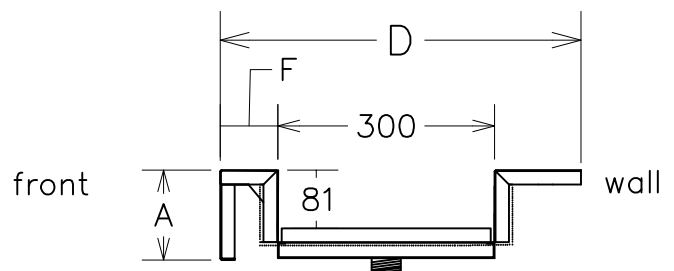
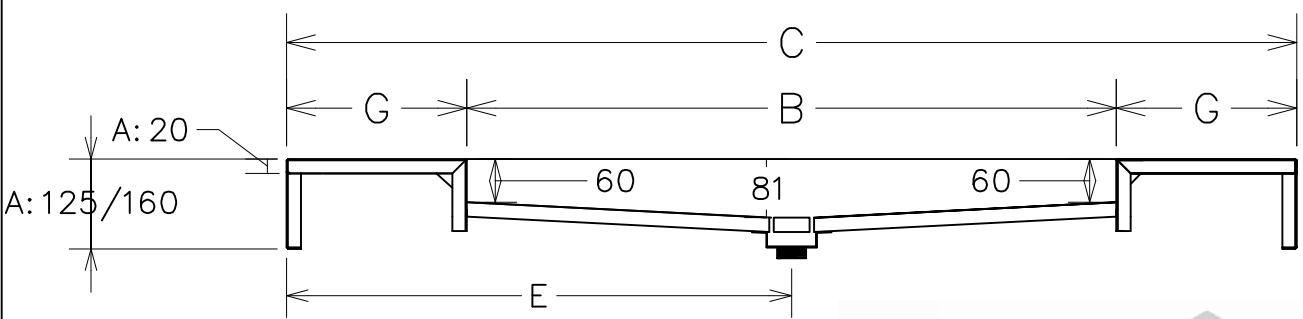
F: .....mm (Standard 80mm-min 50mm)

G: Edge 20mm: minimum 100mm  
      Edge 125/160mm: minimum 120mm

H: 35mm TAP HOLE? NO / YES  
      YES ==> MARK POSITION IN DRAWING  
(For a tap hole we need 110 mm minimum behind the sink.)



silestone piece to cover drain



Model REFLECTION: For orders > 10 tops it is possible to request prices with special sizes of sinks.